


Eclipse Winnox

Burners

Model WX0850

Version 2

Parameter		Specifications	
Blower Type		Packaged Blower	Remote Blower
Maximum Input, MMBTU/hr (kW)¹ <i>Contact factory for chamber pressures outside the given range, or varying chamber pressure conditions.</i>	Chamber Pressure "w.c. (mbar)	Nominal (60Hz)	Pressure at Air Inlet 1.5 psig (100 mbar)
	-5.0 (-12.5)	9.7 (2840)	13.6 (3985)
	-3.0 (-7.5)	9.2 (2694)	13.2 (3868)
	0.0	8.5 (2490)	12.5 (3660)
	1.0 (2.5)	8.2 (2416)	12.2 (3575)
2.0 (5.0)	7.98 (2337)	12.0 (3516)	
Minimum Input, BTU/hr (kW)	Natural Gas	500,000 (146)	500,000 (146)
	Propane, Butane	600,000 (175)	600,000 (175)
Fuel Inlet Pressure at Ratio Regulator, "w.c. (mbar)²	Maximum	82 (207)	110 (273)
	Minimum	27.7 (69)	55.4 (138)
Maximum Chamber Temperature, °F (°C) <i>Tube temperatures should be reduced 150°F when using propane or butane.</i>		Standard combustion tube: 1300 (704) High temperature combustion tube: 1400 (760) ⁵	
Flame Length		Flame is inside tube at all times.	
Excess Air, % at High Fire		40% - 70%	
Pipe Connections		NPT or BSP/DN Flange connections available.	
Flame Detection		Flame rod or UV scanner.	
Fuels <i>For any other mixed gas, contact Eclipse Inc.</i>		Natural gas, Propane, Butane ³	
Blower Motor Power, Hp		15	-
Weight, lbs (kg)⁴		1435 (651)	1135 (515)
Approvals			

¹ Maximum inputs for packaged blower versions are given for the standard combustion air blower without an inlet air filter.

² For proper performance, this pressure must be kept constant across the burner operating range.

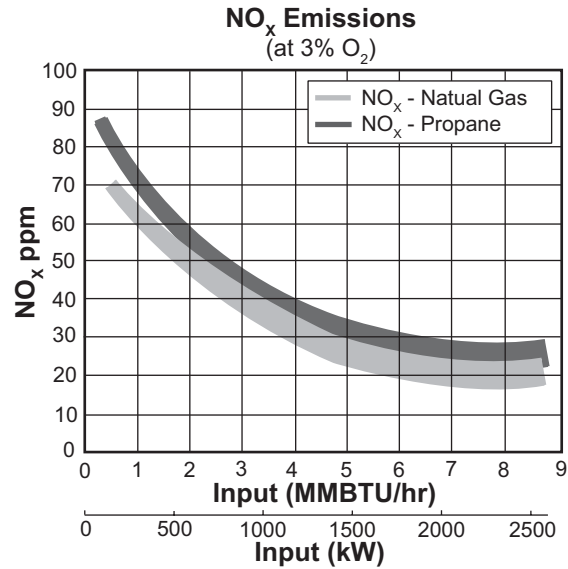
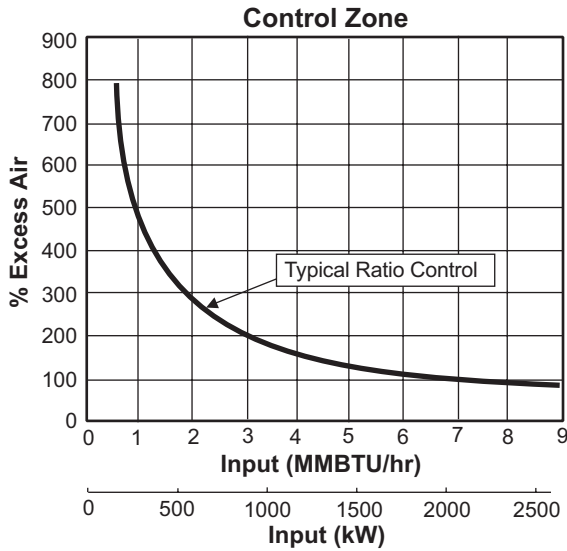
³ See Design Guide 111 for more information about typical fuel composition and properties.

⁴ All weights are approximate.

⁵ Contact Eclipse for temperatures over 1400°F (760°C).

- All inputs are based on gross calorific values and standard conditions: one atmosphere, 70°F (21°C).
- All information is based on laboratory testing. Different chamber size and conditions will affect data.
- Eclipse reserves the right to change the construction and/or configurations of our products at any time without being obliged to adjust earlier supplies accordingly.

Performance Graphs



Fuel/Input Measurement

System design must include fuel flow measurement upstream of the burner. Eclipse recommends its 12-5 FOM (Fuel Orifice Meter) assembly number 302050-5 for natural gas. See Bulletin 930 for details.

Secondary By-Pass Fuel Setting:

Fuel	ΔP "w.c. (mbar)*
Natural Gas	4.0 (10.0)
Propane	4.0 (10.0)
Butane	4.0 (10.0)

*Measured between Tap "E" and the chamber @ low fire.

NOTE: Input at low fire changes with ratio regulator adjustment.

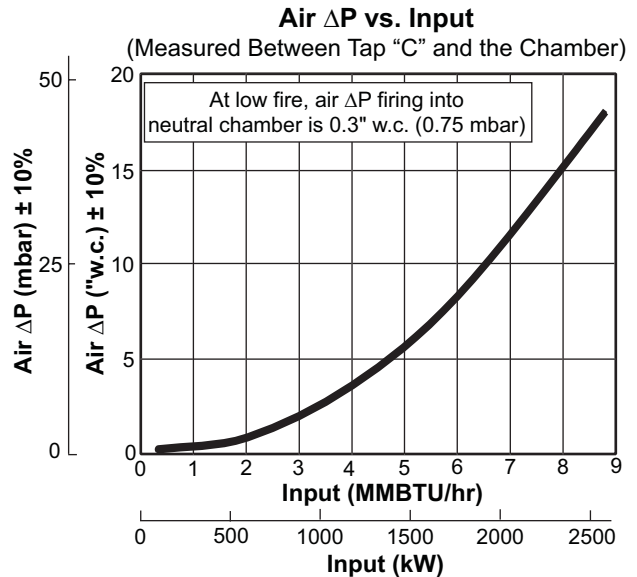
NO_x emission data is given for:

- Ambient combustion air (~70°F, 20°C)
- Less than 1000°F (540°C) firing chamber
- Minimal process air velocity
- Low fire input adjusted to 500,000 BTU/hr (88 kW)
- Neutral chamber pressure

Emissions are influenced by:

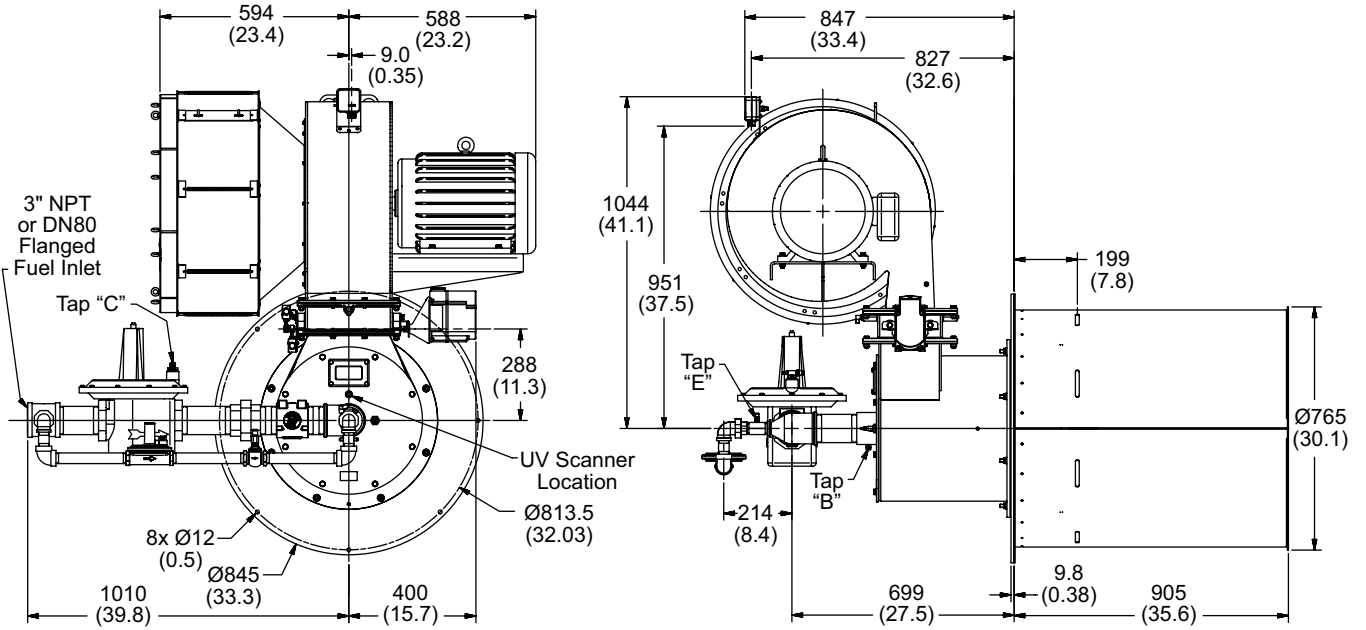
- Chamber conditions
- Fuel type
- Firing rate
- Ratio regulator adjustments
- Combustion air temperature
- Excess air

CO emission is largely influenced by chamber conditions. Contact your local Eclipse representative for an estimate of CO emission on your application.

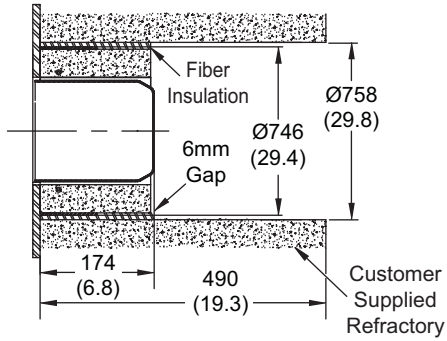


Dimensions in mm (inches)

Packaged Blower

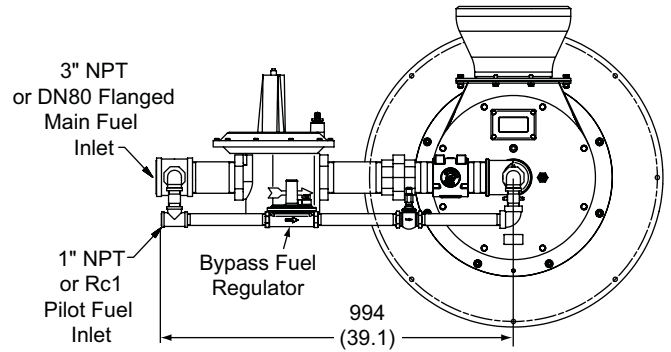


Refractory Plug

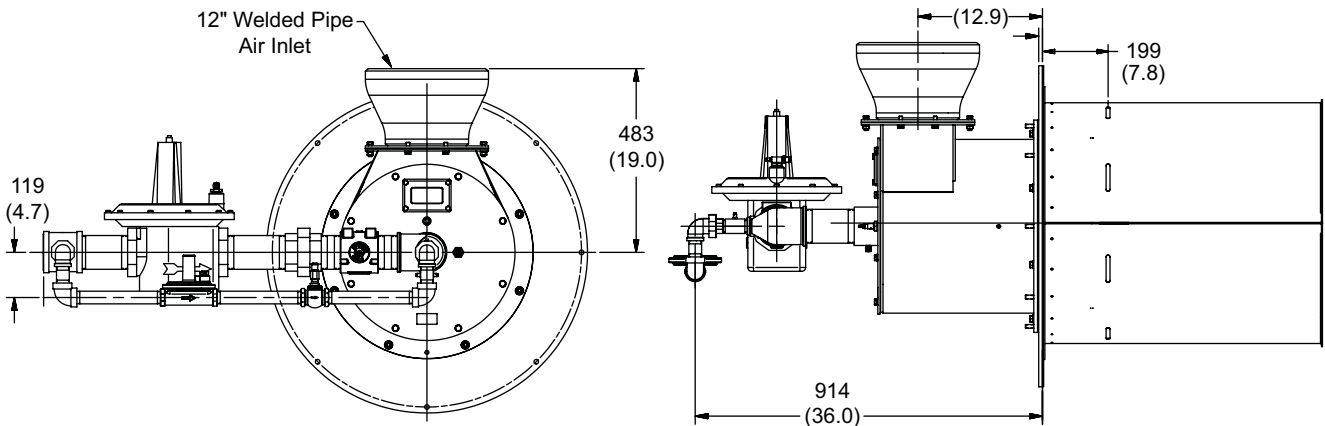


Pilot Ready Option

(Shown with remote blower option)



Remote Blower





Offered By:

Power Equipment Company
2011 Williamsburg Road
Richmond, Virginia 23231
Phone (804) 236-3800
Fax (804) 236-3882

www.peconet.com